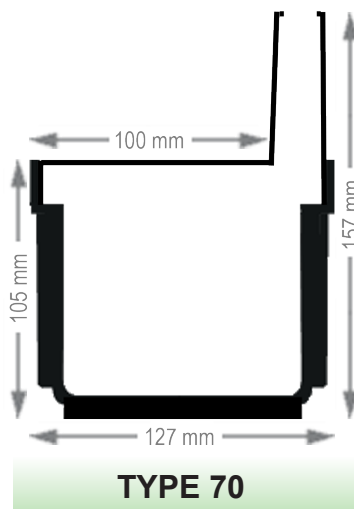
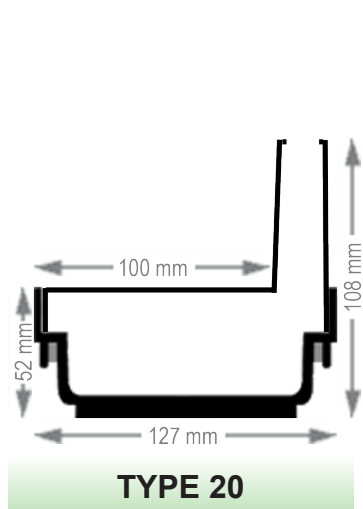


# CONTENTS

Check the contents of your set in below overview.



**2** Please select the required length and check this column for the correct quantities.

**1** Please select the type.

TYPE 20	Illustration	Description	Size	2.00 m	3.00 m	4.00 m	5.00 m	6.00 m	7.00 m	8.00 m	9.00 m	10.00 m	11.00 m	12.00 m	1.00 m
					Slot drain	1.00 m	2	3	4	5	6	7	8	9	10
	Stopends			2	2	2	2	2	2	2	2	2	2	2	-
	Bottom-outlet	Ø 110 mm		1	1	1	1	1	1	1	2	2	2	2	-
	Side-outlet	Ø 75 mm		1	1	1	1	1	1	1	2	2	2	2	-

TYPE 70	Illustration	Description	Size	2.00 m	3.00 m	4.00 m	5.00 m	6.00 m	7.00 m	8.00 m	9.00 m	10.00 m	11.00 m	12.00 m	1.00 m
					Slot drain	1.00 m	2	3	4	5	6	7	8	9	10
	Stopends			2	2	2	2	2	2	2	2	2	2	2	-
	Bottom-outlet	Ø 110 mm		1	1	1	1	1	1	1	2	2	2	2	-
	Side-outlet	Ø 110 mm		1	1	1	1	1	1	1	2	2	2	2	-